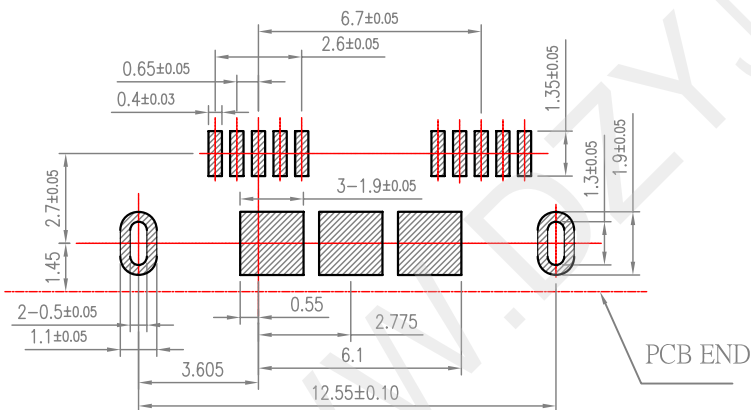


DIM L
1.00
1.20
1.55
1.80

NOTES:

- INSULATOR:LCP . COLOR-BLACK
- USB CONTACT: BRASS,0.15mm THICKNESS, GOLD PLATED ON CONTACT AREA, GOLD FLASH OR 50 U" TIN PLATED ON SOLDER TAIL, 80 U" MIN. NICKEL UNDER PLATED OVERALL.
- SHELL: STAINLESS STEEL ,0.3 THICKNESS, 40U" NICKEL PLATED ON THE SOLDERING TAB.
- ELECTRICAL CHARACTERISTICS;
 - CONTACT RESISTANCE:30mΩ MAXIMUM
 - CONTACT CURRENT RATING:1.5AMPERES
 - DIELECTRIC WITHSTANDING VOLTAGE:100 V R.M.S.
 - INSULATION RESISTANCE 100 MΩ MIN
 - OPERATING TEMPERATURE:-40°C ~ 85°C
- MECHANICAL CHARACTERISTICS:
 - MATING FORCE:35N MAX
 - UNMATING FORCE:10N MIN(INITIAL)
8N MIN(10000 CYCLES AFTER)
 - DURABILITY: 100,00 CYCLES MIN
- PRODUCT NO. DESCRIPTION:

Pin Assignments			
Shell	Shield		
10	MicB_SSRX+		
9	MicB_SSRX-		
8	GND_DRAIN		
7	MicB_SSTX+		
6	MicB_SSTX-		
5	GND		
4	ID		
3	CONTACT	3	D+
2	SHELL	2	D-
1	HOUSING	1	VBUS
ITEM	DESCRIPTION	PIN NO.	SIGNAL NAME

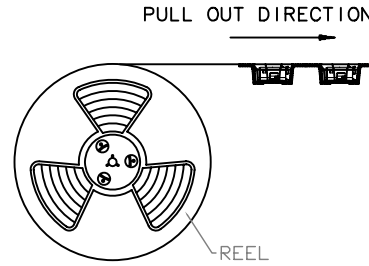
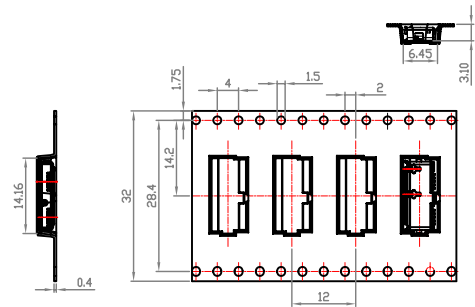


RECOMMENDED PCB LAYOUT



深圳市华宇创精密电子有限公司

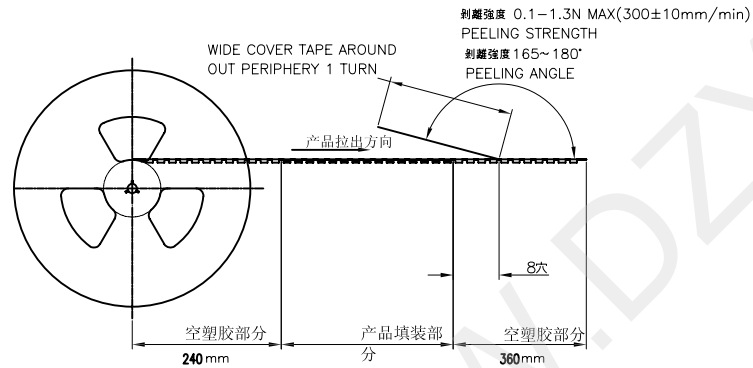
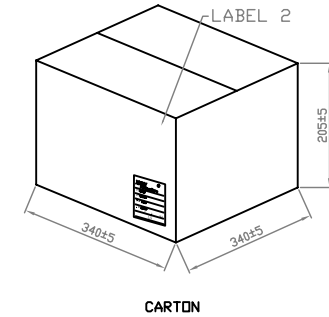
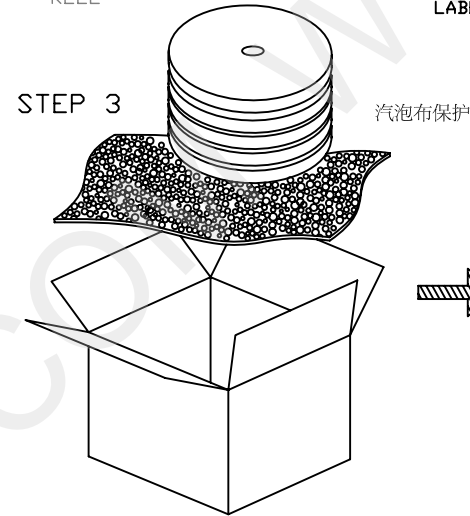
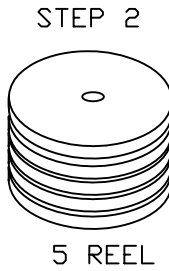
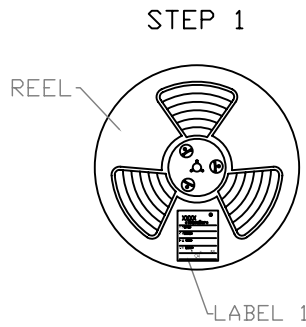
TOLERANCE: X.X ±0.30 X.XX ±0.25 X.XXX ±0.15 X' ±2' X.X' ±0.5'	DRAWN BY : 吴迪	DATE : 2013-12-13	PART NAME: MICRO USB 3.0 外插型
	CHECKED BY: 马跃	DATE : 2013-12-13	PART NO. HYC03-USB10-125
UNIT: mm [inch]	APPROVED BY: 邱国夷	DATE : 2013-12-13	DRAW NO: HYC-USB13121301
SCALE: 1:1	SIZE: A4		SHEET NO. 1 OF 1



P/N :	XXXX
QTY :	1500
P/O :	XXXX XXXX
DATE :	MM/DD/YYYY
G.W :	xxx KG
RoHS	
XXXX Corporation	

LABEL 1 = Q'TY : 1500
LABEL 2 = Q'TY : 7500

LABEL1 & LABEL2



PART NO.	PCS./REE	REEL/CARTCON
DIP 外壳	1200PCS.	1200X5=6000 PCS.
SMT 外壳	1500PCS.	1500X5=7500 PCS.

备注:

1. 材料: P.S, 颜色: 透明.
2. 符合EIA-481-3 Standards.
3. 材料厚度 $t=0.4\pm 0.05\text{mm}$.
4. 如圖所示, 冷封帶與承載帶間的
剥离强度: $0.1\sim 1.3\text{N}$. (300mm/min)
剥离角度: $165^\circ\sim 180^\circ$.



深圳市华宇创精密电子有限公司

TOLERANCE:
X.X ± 0.30
X.XX ± 0.25
X.XXX ± 0.15
X.' $\pm 2'$ X.X' $\pm 0.5'$

UNIT: mm [inch]

SCALE: 1:1 SIZE: A4

DRAWN BY :
吴迪

CHECKED BY:
马跃

APPROVED BY:
邱国夷

DATE :
2012-02-23

DATE :
2012-02-23

DATE :
2012-02-23

PART NAME:
MICRO USB 3.0包装图

PART NO.

MOLD NO.

DRAW NO:
SHEET NO. 1 OF 1